

6

5

4

3

2

1

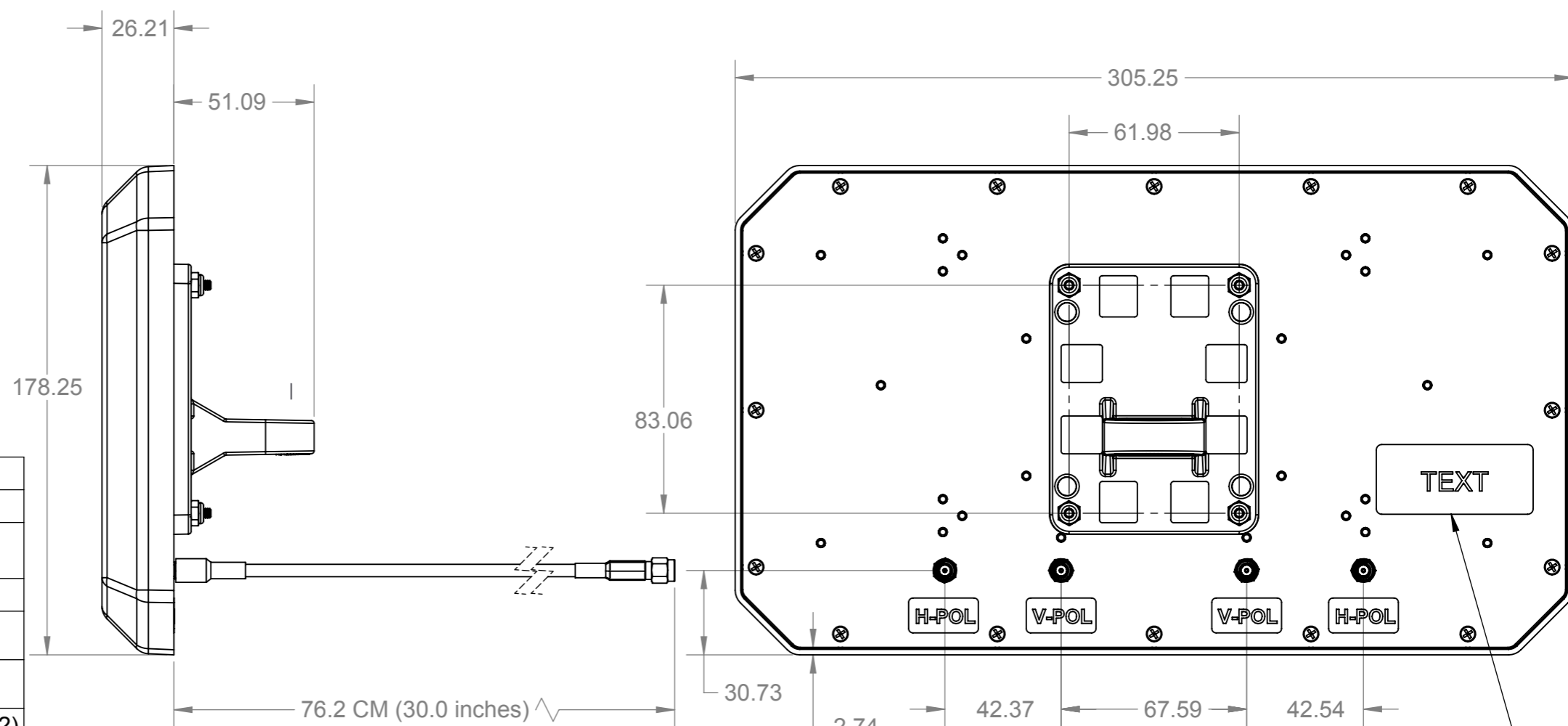
REVISIONS					
REV.	ECN#	ZONE	DESCRIPTION	CHANGED BY/DATE	APPROVED BY/DATE
F01			RELEASE	LCTAN 30JAN19	CHF 30JAN19

D

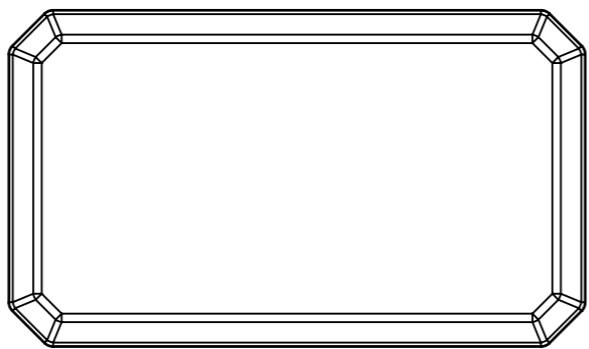
C

B

A




Parameter	Performance	
Model Number	PDQ24518-MI1	
Frequency	2400-2500 MHz	5150-5900 MHz
Peak Gain	8.0 dBi	8.0 dBi
Azimuth Plane 3-dB Beamwidth (Typical)	90~	120~
Elevation Plane 3-dB Beamwidth (Typical)	45~	30~
Polarization	Dual Polarization(H x 2, V X 2)	
F/B Ratio	20 dB	
Impedance	50Ω	
MAX VSWR V-Pole 2400-2500MHz	2.0:1	
MAX VSWR V-Pole 5150-5900MHz	2.2:1	
MAX VSWR H-Pole 2400-2500MHz	2.0:1	
MAX VSWR H-Pole 5150-5900MHz	2.4:1	
Power	10 Watts	
RF Connector	REVERSE SMA MALE	
Cable	76.2 cm (30.0") RG58 STYLE	
Radome	MATERIAL: WHITE POLYCARBONATE	
Operating Temperature	-30 C to +70 C	
Storage Temperature	-40 C to +85C	
Antenna Weight	0.69 kg	



SCALE: 1:4

UNLESS OTHERWISE NOTED, THIS DOCUMENT CONTAINS LAIRD TECHNOLOGIES CONFIDENTIAL INFORMATION. REPRODUCTION, USE, DISCLOSURE OR TRANSMITTAL OF ALL OR ANY PART OF THIS DOCUMENT IS PROHIBITED EXCEPT TO THE EXTENT APPROVED IN WRITING BY AN AUTHORIZED REPRESENTATIVE OF LAIRD TECHNOLOGIES. LAIRD TECHNOLOGIES RESERVES ALL RIGHTS UNDER PATENTS, TRADEMARKS, COPYRIGHTS AND TRADE SECRETS. COPYRIGHT, LAIRD TECHNOLOGIES 2014. ALL RIGHTS RESERVED.

<b>MATERIAL:</b>		THIRD ANGLE PROJECTION		 IAS, PENANG MALAYSIA	
<b>FINISH:</b> N/A		DO NOT SCALE DRAWING			
APPROVALS		DATE		TITLE:	
DRAWN BY	LC TAN	30JAN19		PDQ24518-MI1	
ELEC. ENG.				MOUNTING & OUTLINE	
MECH. ENG.	WT NG	30JAN19		INTERPRET DIMENSIONING AND TOLERANCING IN ACCORDANCE WITH ASME Y14.5M-2009 TOLERANCES UNLESS OTHERWISE SPECIFIED DIMENSIONS ARE IN MILLIMETERS	
MFG./OPS.	CH FONG	30JAN19		ANGLE: ±30' 0 PLACE DECIMAL: ±0.5 1 PLACE DECIMAL: ±0.25 2 PLACE DECIMAL: ±0.13 SURFACE ROUGHNESS 1.6	
		SIZE		DWG. NO.	
		A3		PDQ24518-MI1MO	
		SCALE: 1:1		PREVIOUS#	
				REV F01	
				SHEET 1 OF 1	

6

5

4

3

2

1