

# WS868

## 868 MHz Stubby Antenna

### Features

- ◆ Groundplane Dependent
- ◆ Covers 868 and 915 MHz bands
- ◆ SMA-Male Straight Connector
- ◆ Ideal for fixed and mobile terminals

### Specifications

Radiating element	1/4 Wave Element
Frequency range	868 MHz, 915 MHz
Peak gain	1.0 dBi
Polarisation	Linear
Return loss	-10 dB
Power rating	10W
Connector	SMA-Male Straight
Dimensions	54 x 8mm (plus connector)

### Popular Ordering Options

FWS835022-SM-ST	WS868 with SMA-Male ST connector
-----------------	----------------------------------

Specifications subject to change without notice.

5 Little Balmer  
Buckingham Industrial Park  
Buckingham  
MK18 1TF  
UK

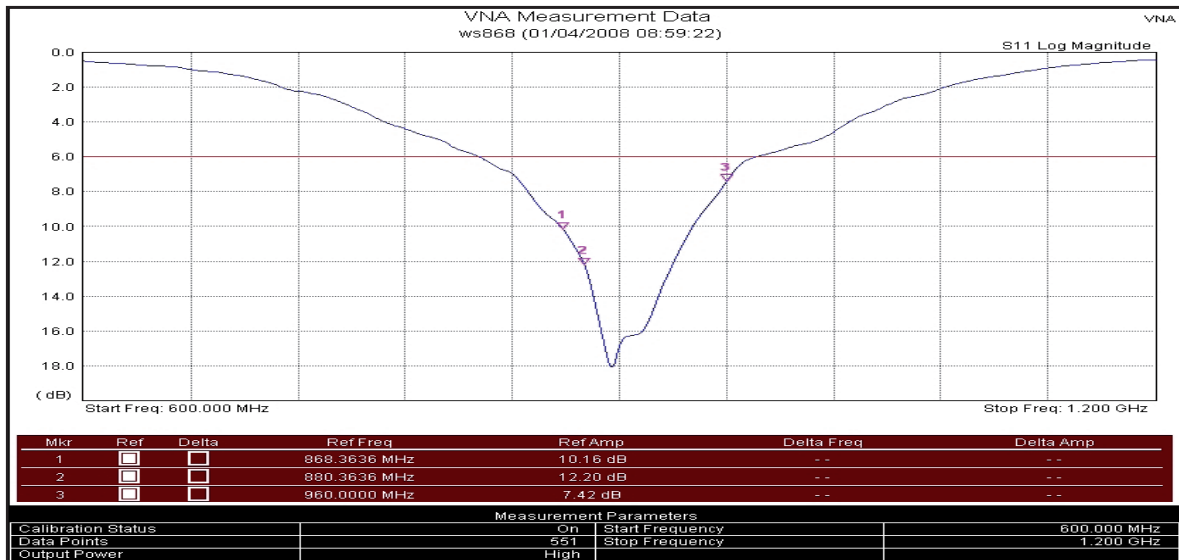
Tel: +44 (0)1280 824055  
Fax: +44 (0)1280 817179  
Email: [sales@ead-ltd.com](mailto:sales@ead-ltd.com)  
Web: [www.ead-ltd.com](http://www.ead-ltd.com)

**EAD**   
embedded antenna design ltd  
*Delivering Antenna Innovation*

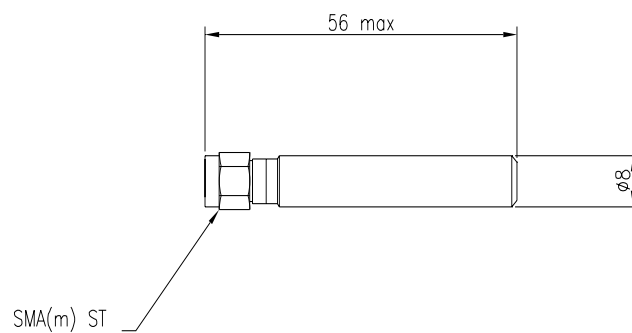


## WS868 | 868 MHz Stubby Antenna

### Return Loss



### Outline Drawing



Specifications subject to change without notice.

5 Little Balmer  
Buckingham Industrial Park  
Buckingham  
MK18 1TF  
UK

Tel: +44 (0)1280 824055  
Fax: +44 (0)1280 817179  
Email: sales@ead-ltd.com  
Web: www.ead-ltd.com