



## PST2100

### Pentaband GSM Stubby Antenna

#### Features

- ◆ Groundplane Dependent
- ◆ Covers cellular, GSM and 3G bands
- ◆ SMA connector
- ◆ Ideal for fixed and mobile terminals

#### Specifications

Radiating element	1/4 Wave Element
Frequency range	824-960/1710-2170 MHz
Gain	0 dBi
Polarisation	Linear
VSWR	< 2.5:1
Power rating	10W
Connector	SMA-Male RA or SMA-Male Straight
Dimensions	76 x 8mm (plus connector)

#### Popular Ordering Options

FPST35254-SM-RA	PST2100 antenna with SMA-Male RA connector
FPST35254-SM-ST	PST2100 antenna with SMA-Male ST connector

Specifications subject to change without notice.

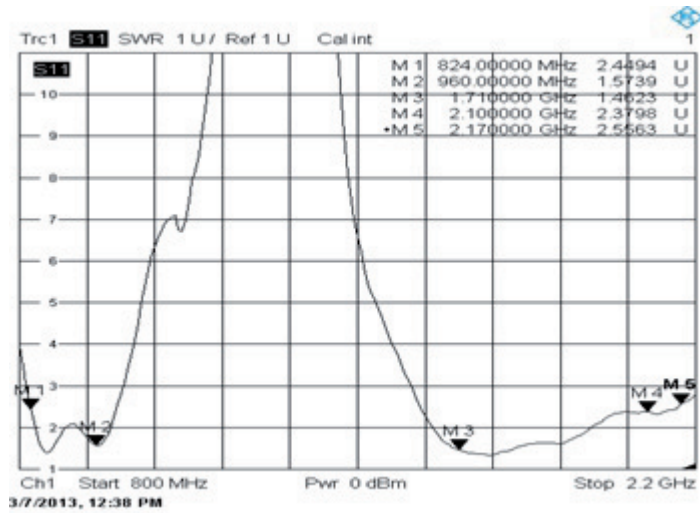
5 Little Balmer  
Buckingham Industrial Park  
Buckingham  
MK18 1TF  
UK

Tel: +44 (0)1280 824055  
Fax: +44 (0)1280 817179  
Email: [sales@ead-ltd.com](mailto:sales@ead-ltd.com)  
Web: [www.ead-ltd.com](http://www.ead-ltd.com)

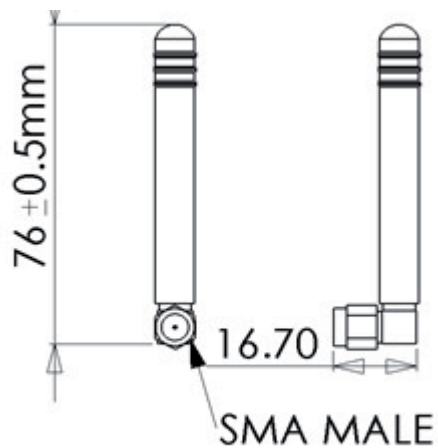


## PST2100 | Pentaband GSM Stubby Antenna

### Return Loss



### Outline Drawing



Specifications subject to change without notice.

5 Little Balmer  
Buckingham Industrial Park  
Buckingham  
MK18 1TF  
UK

Tel: +44 (0)1280 824055  
Fax: +44 (0)1280 817179  
Email: sales@ead-ltd.com  
Web: www.ead-ltd.com