

# Mini-GSM

## Dual Band Internal PCB Antenna

### Features

- ◆ Groundplane Dependent
- ◆ Covers 900/1800 MHz bands
- ◆ Various cable/connector options
- ◆ Ideal for mobile devices

### Specifications

Radiating element	1/4 Wave Element
Frequency range	900/1800 MHz
Peak gain	0 dBi
Polarisation	Linear
Return loss	-7.0 dB
Power rating	10W
Cable / Connector	Various including MMCX, U.FL, SMA
Dimensions	43 x 6mm

### Popular Ordering Options

FMGB35025-MR-10	Mini-GSM with 100mm RG-178 and MMCX Connector
FMGB35025-MCF-10	Mini-GSM with 100mm RG-178 and MCF Connector
FMGB35025-UF-10	Mini-GSM with 100mm cable and U.FL Connector

[www.ead-ltd.com](http://www.ead-ltd.com)

Specifications subject to change without notice.

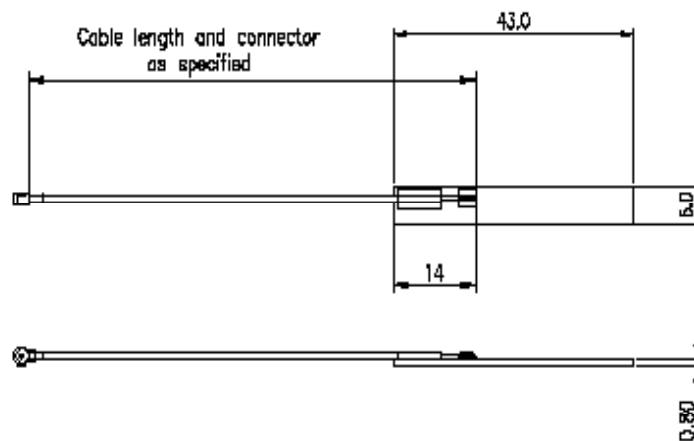
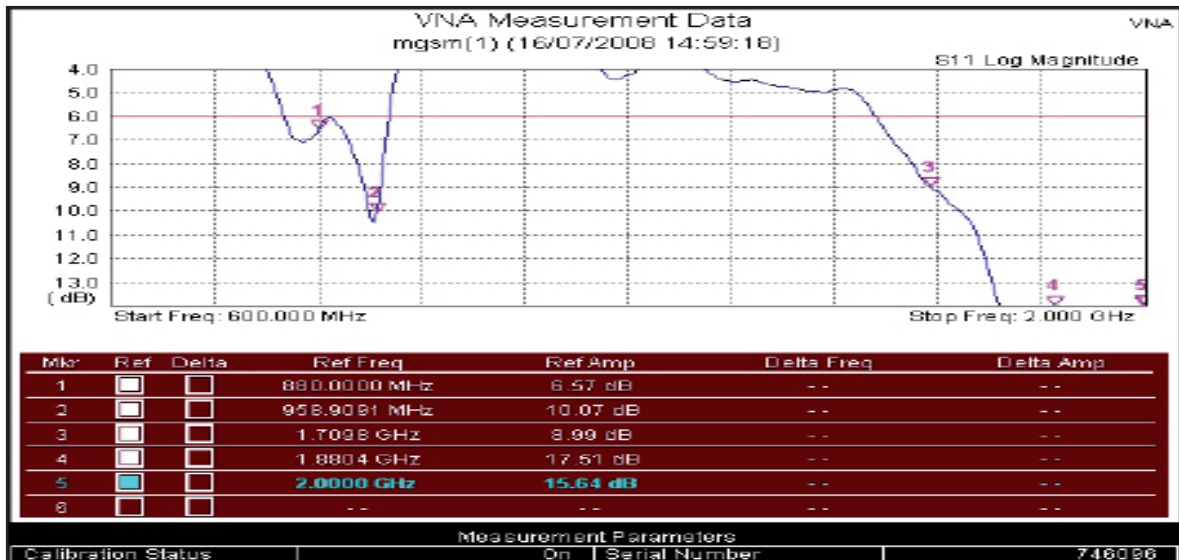
5 Little Balmer  
Buckingham Industrial Park  
Buckingham  
MK18 1TF  
UK

Tel: +44 (0)1280 824055  
Fax: +44 (0)1280 817179  
Email: [sales@ead-ltd.com](mailto:sales@ead-ltd.com)  
Web: [www.ead-ltd.com](http://www.ead-ltd.com)

**EAD**   
embedded antenna design ltd  
*Delivering Antenna Innovation*

## Mini-GSM| Dual Band Internal PCB Antenna

### Return Loss



Specifications subject to change without notice.

5 Little Balmer  
Buckingham Industrial Park  
Buckingham  
MK18 1TF  
UK

Tel: +44 (0)1280 824055  
Fax: +44 (0)1280 817179  
Email: sales@ead-ltd.com  
Web: www.ead-ltd.com