

QHP1516

GPS/GLONASS Passive Helical Stub Antenna

Features

- ◆ GPS & Glonass Frequencies
- ◆ Small Footprint
- ◆ Enclosure Mount
- ◆ Customizable cable/connector options
- ◆ Suitable for fixed or mobile devices

Specifications

Radiating element	Quadrifilar Helix Element
Frequency range	1588.5 MHz \pm 23
Average Gain	3 dBic
Impedance	50 Ohm
Polarisation	RHCP
VSWR	< 2.0:1
F/B Ratio	10 dB
Cable/Connector	Pigtail cable with U.FL or SMA (others possible)
Materials	PVC (subject to change)
Dimensions	53x 28.5mm (h x d excl. stud)

Popular Ordering Options

FQHP35306-UF-10	QHP1516 Antenna with 100mm cable and U.FL
FQHP35306-SM-10	QHP1516 Antenna with 100mm cable and SMA connector

Specifications subject to change without notice.

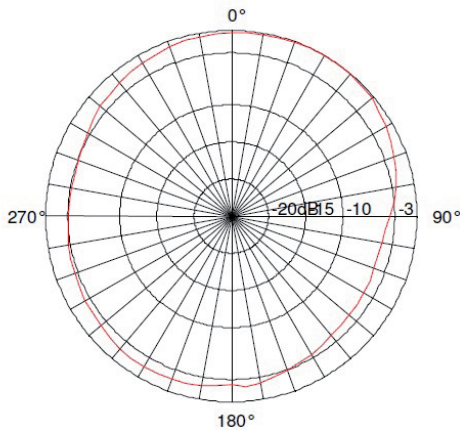
5 Little Balmer
Buckingham Industrial Park
Buckingham
MK18 1TF
UK

Tel: +44 (0)1280 824055
Fax: +44 (0)1280 817179
Email: sales@ead-ltd.com
Web: www.ead-ltd.com

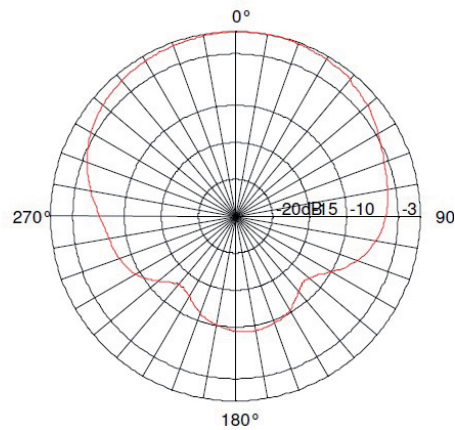


QHP1516 | GPS/GLONASS Passive Helical Stub Antenna

Radiation Patterns

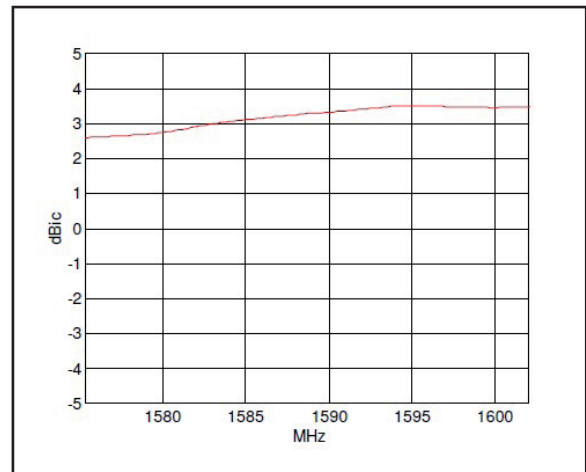
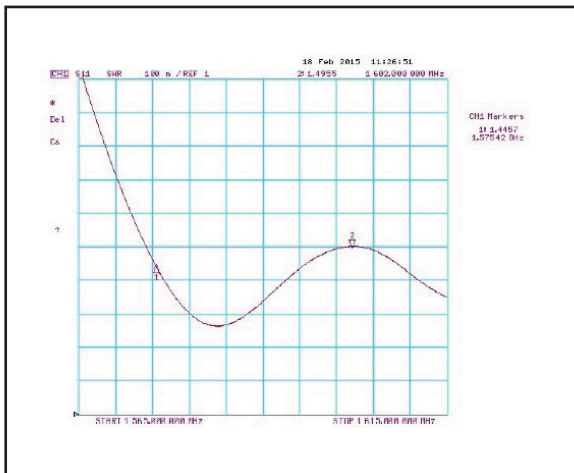


Horizontal plane
(mid band, 0° elevation)



Vertical plane
(mid band)

VSWR and Gain Curves



Specifications subject to change without notice.

5 Little Balmer
Buckingham Industrial Park
Buckingham
MK18 1TF
UK

Tel: +44 (0)1280 824055
Fax: +44 (0)1280 817179
Email: sales@ead-ltd.com
Web: www.ead-ltd.com