

PTR2100

Pentaband Multiposition Antenna



Features

- ◆ Groundplane Independent
- ◆ Covers cellular, GSM and 3G bands
- ◆ Locks in three positions for flexibility
- ◆ Ideal for fixed and mobile terminals

Specifications

Radiating element	1/2 Wave Element
Frequency range	824-960/1710-2170 MHz
Peak gain	1.5 dBi
Polarisation	Linear
Return loss	<-7 dB
Power rating	10W
Connector	SMA-Male RA
Dimensions	171 x 18mm (max)

Popular Ordering Options

FPTR35162-SM-KR	PTR2100 with SMA-Male connector
-----------------	---------------------------------

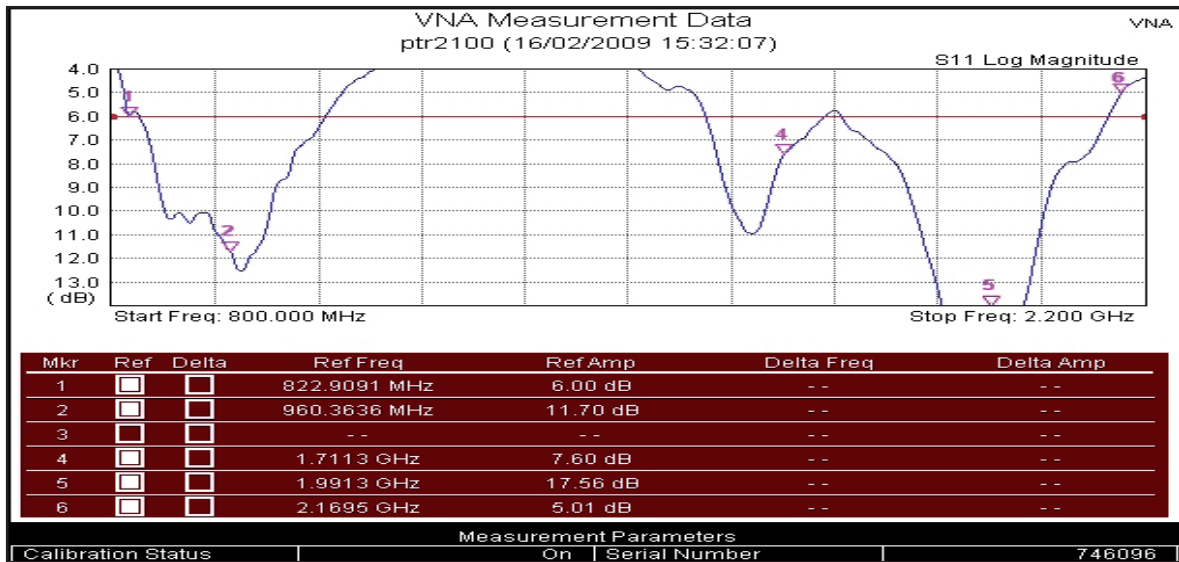
Specifications subject to change without notice.

5 Little Balmer
Buckingham Industrial Park
Buckingham
MK18 1TF
UK

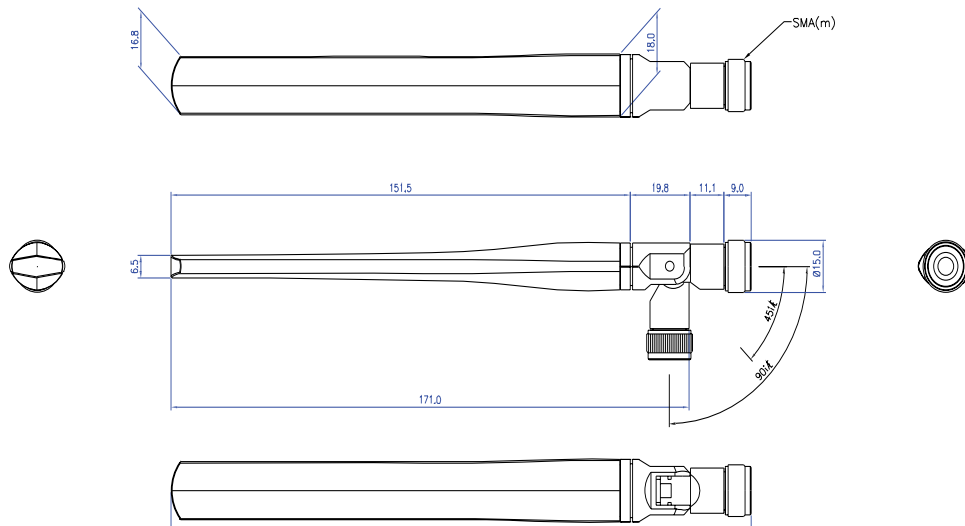
Tel: +44 (0)1280 824055
Fax: +44 (0)1280 817179
Email: sales@ead-ltd.com
Web: www.ead-ltd.com

PTR2100| PentaBand Multiposition Antenna

Return Loss



Outline Drawing



Specifications subject to change without notice.

5 Little Balmer
Buckingham Industrial Park
Buckingham
MK18 1TF
UK

Tel: +44 (0)1280 824055
Fax: +44 (0)1280 817179
Email: sales@ead-ltd.com
Web: www.ead-ltd.com