



CPO

GSM/3G Low Profile Puck Antenna

Features

- Low Profile Puck Antenna
- Supports GSM/3G frequencies
- Fully Waterproof when mounted
- Groundplane Independent

Specifications

Radiating element	1/2 wave Element
Frequency range	870-960/1710-2170 MHz
Peak gain	2-3 dBi
Polarisation	Linear
VSWR	<2.5:1
Power rating	10W
Cable / Connector	SMA-Male
Dimensions	102 x 33.5mm (dxh)

Ordering Options

FCPO35163-SM-1K	CPO with 1M RG-174 and SMA-Male
FCPO35163-FM-2K	CPO with 2M RG-174 and FME-Female
FCPO35163-SM-2K	CPO with 2M RG-174 and SMA-Male

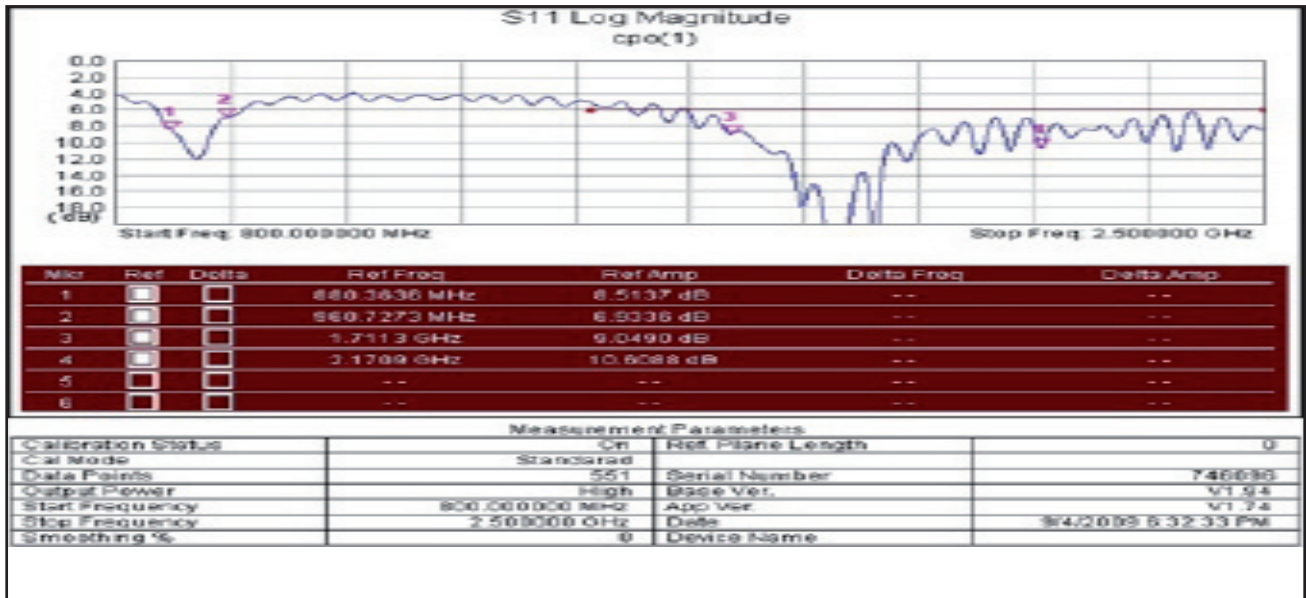
Specifications subject to change without notice.

5 Little Balmer
Buckingham Industrial Park
Buckingham
MK18 1TF
UK

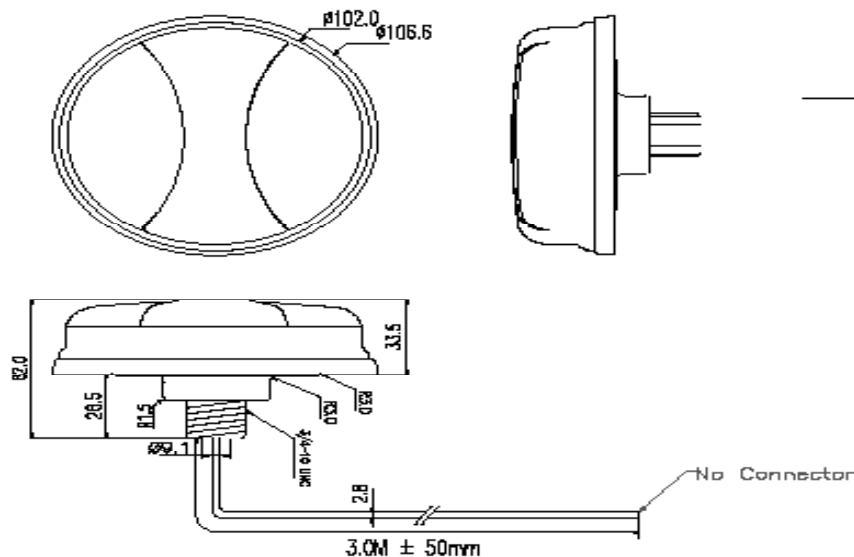
Tel: +44 (0)1280 824055
Fax: +44 (0)1280 817179
Email: sales@ead-ltd.com
Web: www.ead-ltd.com

CPO | GSM/3G Low Profile Puck Antenna

Return Loss



Outline Drawing



Specifications subject to change without notice.

5 Little Balmer
Buckingham Industrial Park
Buckingham
MK18 1TF
UK

Tel: +44 (0)1280 824055
Fax: +44 (0)1280 817179
Email: sales@ead-ltd.com
Web: www.ead-ltd.com